

SETPOINT COMPARATOR

AM-342

*HH, HI, LO, LL, Setpoint



DC Voltage Measurement

Code	Range	Display Adjustable	Input Impedance	Input Protection	
DV	11	±99.99mV	100MΩ	±250V	
	12	±999.9mV	100MΩ	±250V	
	13	±9.999V	Offset ±9999	1MΩ	±250V
	14	±99.99V	Fullscale ±9999	10MΩ	±500V
	15	±700.0V	±9999	10MΩ	±700V
	1V	1-5V		1MΩ	±250V

Accuracy: ±0.03% rdg ±2 digit (23°C ±5°C)

DC Current Measurement

Code	Range	Display Adjustable	Internal Resistance	Input Protection	
DA	23	±9.999mA	10Ω	±150mA	
	24	±99.99mA	1Ω	±500mA	
	25	±999.9mA	Fullscale ±9999	0.1Ω	±3A
	2A	4-20mA	±9999	10Ω	±150mA

Accuracy: ±0.1% rdg ±2 digit (23°C ±5°C)
±0.3% rdg ±2 digit for only 25 range

AC Voltage Measurement (TRUE-RMS)

Code	Range	Display Adjustable	Input Impedance	Input Protection
AV	13	0-9.999V	1MΩ	300V
	14	0-99.99V	1MΩ	300V
	15	0-700.0V	Fullscale ±9999	10MΩ

Accuracy: ±0.3% rdg ±5 digit (23°C ±5°C)

AC Current Measurement (TRUE-RMS)

Code	Range	Display Adjustable	Internal Resistance	Input Protection
AA	24	0-99.99mA	1Ω	500mA
	25	0-999.9mA	(CT)	10A
	26	0-5.000A	Fullscale ±9999	(CT)

Accuracy: ±0.5% rdg ±10 digit (23°C ±5°C)

Specifications

Input Configuration: Single Ended
 Conversion Rate: 12.5 times/sec (50Hz) or 15 times/sec (60Hz)
 Normal Mode Rejection: NMR 50dB or more (50/60Hz)
 Display: LED, 14.2mm (Red)
 Polarity: A "-" is displayed automatically
 Overrange Indication: When input exceeds the maximum display, display 0L or -0L
 Max. Display: ±9999
 Decimal Point: Settable to any digit position
 Zero Display: Leading zero suppression
 External Control: Hold, Start, Digital Zero, Peak, Valley Hold
 Operating Temp.: 0-50°C 35-85% RH
 Power Supply: AC90-132V
 AC180-264V
 DC 24V±20%(only of DV, DA)
 Power Consumption: Approx. 2.5VA
 Dimensions: 36(H) × 72(W) × 118(D)mm DIN size
 Weight: Approx. 260g
 Dielectric Strength: Input/Earth DC500V
 Input terminals/COM, relay output DC500V
 Power supply/COM, Case, Relay AC1500V/min.
 Insulation Resistance: DC500V 100MΩ at above terminals
 Comparative Control System: Microcomputer
 Setting Range: -9999 to 0 to +9999

Features

- Can change range by front sheet switch
- Conversion rate 12.5 times/sec (50Hz) or 15 times/sec (60Hz)
- Peak hold, Valley hold, Peak-valley hold, digital zero available
- HH, HI, LO, LL setpoints
- Bright LED, 14.2mm (Red)

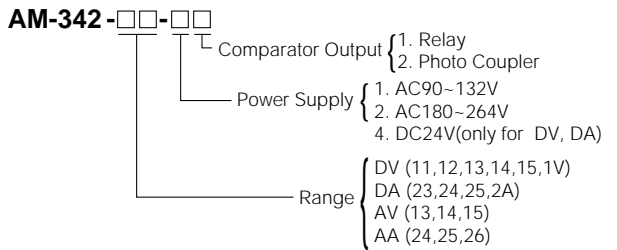
Comparative Condition: Indication > High high set point→HH
 High high set point ^Indication>High set point→HI
 High set point ^Indication>Low set point→GO
 Low set point ^Indication^Low low set point→LO
 low set point >Indication→LL

Relay Contact Capacity: AC250V 0.2A resistive load
 AC120V 0.5A resistive load
 DC28V 1A resistive load

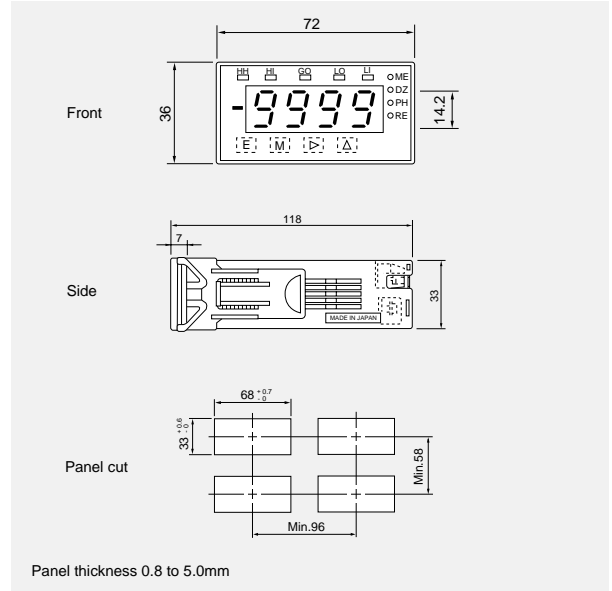
Photo Coupler output: Sink Current Max. 20mA, less than 1.2V
 Hysteresis: 1-999 digit each set point

External Control: Reset
 Memory Back up: EEPROM

Ordering Code



Dimensions



Connection Diagram

