

DC VOLTMETER & AMMETER

AP-242A

*ISOLATED Power Supply



■ DC Voltage Measurement

Model	Range	Maximum Resolution	Input Impedance	Input Protection
AP-242A-12	±1.9999V	100μV	100MΩ	±100V
AP-242A-13	±19.999V	1mV	1MΩ	±250V
AP-242A-14	±199.99V	10mV	1MΩ	±500V

Accuracy: ±0.03% rdg ±1 digit (23°C±5°C)

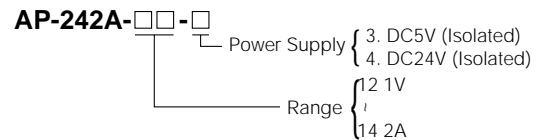
■ Specifications

Input Configuration:	Differential (12-range), Single Ended (13/14-range)
Input Bias Current:	100PA (Typ.)
Conversion Rate:	2.5/sec
Normal Mode Rejection:	More than 50dB (50/60Hz)
Zero Stability:	Automatic Zero Adjustment
Display:	LED, 8mm 4 1/2-digit
Polarity:	A "-" is displayed automatically
Decimal Point:	Settable to any digit position
Overrange Indication:	When input exceeds the maximum display, 0000 flashes.
Power Supply:	DC5V ±5% DC24V ±20%
Operating Temperature:	0~50°C, 35 to 85%RH
Power Consumption:	Approx. 500 mW
Dimensions:	24(H) × 48(W) × 73(D)mm DIN Size
Weight:	Approx. 55g
Dielectric Strength:	Between input (Lo) terminal and mounted plate. AC1500V/1 min. Between power supply (0V) and input (Lo) terminal, DC500V
Insulation Resistance:	DC500V 100MΩ at above terminals

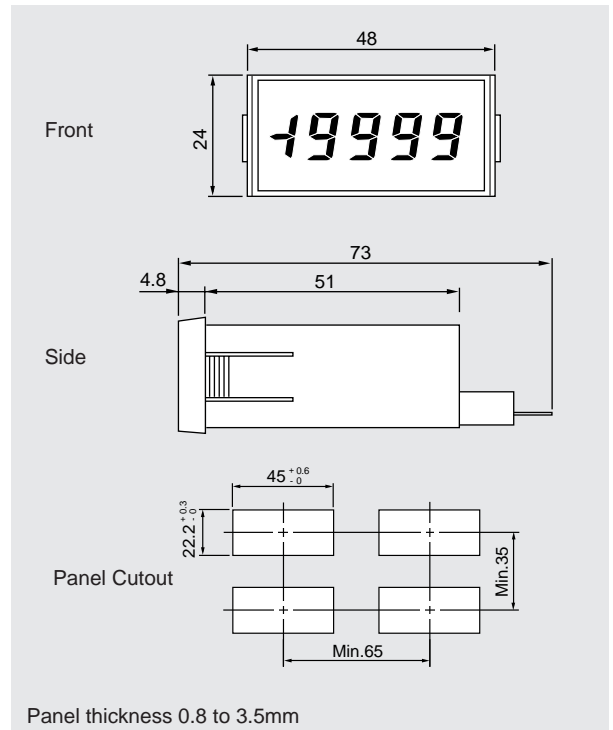
■ Features

- Low Cost
- DC5V, DC24V (Isolated)
- Bright LED, 8mm (Red)
- 2V~200V Measurement

■ Ordering Code



■ Dimensions



■ Connection Diagram

