

# TRANSMITTER WITH ONE INPUT AND TWO OUTPUTS

## TW-2X

**NEW**



### Input specifications

Code No.	Input signal	Input resistance
0	0-5V DC	More than 1M ohm
1	1-5V DC	
2	0-10V DC	
A	4-20mA DC	250 ohm
B	0-20mA DC	
Y	Other than the above	

Limit of Y specifications  
 Voltage input : 250VDC or less , Minimum span ; 100mVDC  
 Current input : 50mADC or less , Minimum span ; 1mADC

### First output specifications

Code No.	Output signal	Load resistance
A	4-20mA DC	Less than 550 ohm
Y	Other than the above	

Limit of Y specifications  
 Current output : 20mADC or less , Minimum span ; 1mADC  
 Voltage output : From -10VDC to +10VDC  
 Minimum span ; 1VDC

### Second output specifications

Code No.	Output signal	Load resistance
0	0-5V DC	Less than 2K ohm
1	1-5V DC	
2	0-10V DC	Less than 4K ohm
A	4-20mA DC	Less than 550 ohm
B	0-20mA DC	
Y	Other than the above	

Limit of Y specifications  
 Current output : 20mADC or less , Minimum span ; 1mADC  
 Voltage output : From -10VDC to +10VDC  
 Minimum span ; 1VDC

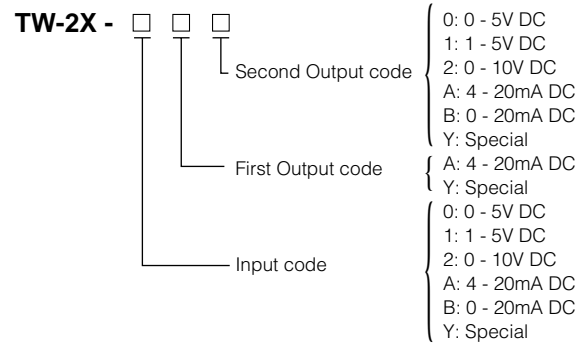
### General specifications

- Accuracy:  $\pm 0.25\%$  FS
- Temperature characteristic:  $\pm 200$  ppm FS/ (TYP)
- Response time: Less than 50msec ( 0 to 90%)
- Insulation resistance: Between input and/output 1/output 2/power ; More than 100M (at 500VDC)
- Dielectric strength: Between input and/output 1/output 2/power ; For 1 min. at 2000VAC
- Power supply voltage: 24VDC  $\pm 10\%$
- Current consumption: Less than 110mA
- Operating ambient temperature: -5 to 50
- Operating ambient humidity: Less than 90% RH (No condensing)
- Weight: Approx. 130g
- Accessories: Instruction manual  
Terminal cover  
Detachable 6-P connector

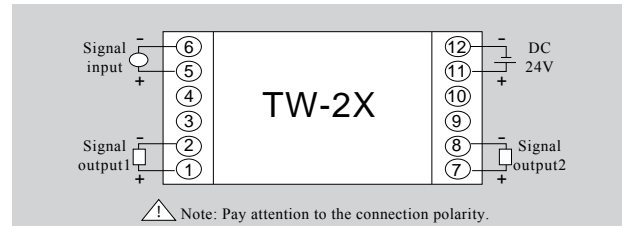
### Features

- DIN rail mount
- 2 outputs
- Input/output1/output2/power supply Isolated

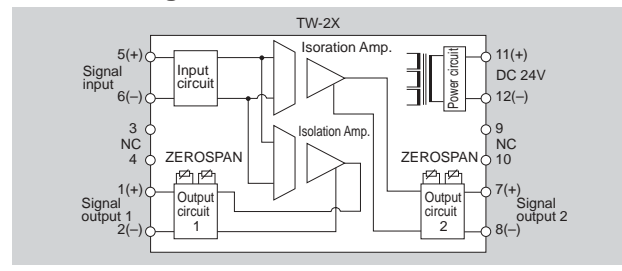
### Ordering Code



### Connection Diagram



### Block Diagram



### Dimensions

