

TERMINAL TYPE TRANSMITTER

TZ-5A



Input Specifications

PT-100 Ω three wires less than 20Ω

Code No.	Temp. Range
1	0 to 100°C
2	0 to 200°C
3	0 to 300°C
4	0 to 400°C
5	0 to 500°C
6	0 to 600°C
Y	Special (0-600°C) (Span more than 100°C)

Output Specifications

DC voltage or current

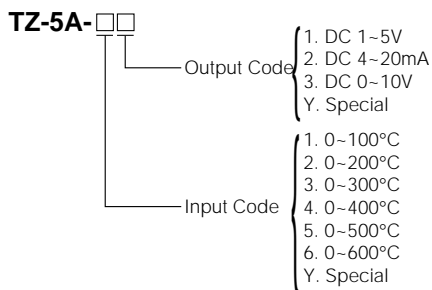
Code No.	Temp. Range
1	1-5V
2	4-20mA
3	0-10V
Y	Special (Current 20mA) (Voltage less than ±10V)

Allowable Load: More than 2KΩ(At 1 to 5V)
Resistance More than 4KΩ(At 0 to 10V)
Less than 550Ω(At 4 to 20mA)

General Specifications

Accuracy: ±0.25% F.S
Temp. Coefficient: ±200ppm/°C (Typ.)
Response Time: Less than 80ms (0-90%) (Typ.)
Dielectric Strength: Input/Output/Power supply AC2000V/1 min.
Insulated Resistance: Input/Output/Power supply more than 100MΩ at DC500V
Operating Temp.: -5-50°C
Power Supply: DC24V±10% less than 55mA
Burn Out: Upper side

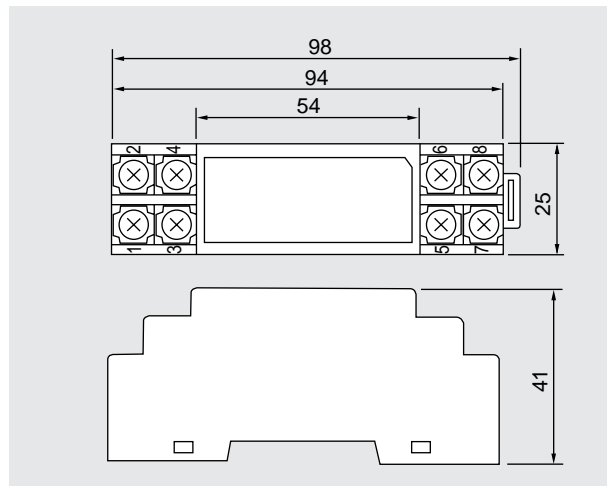
Ordering Code



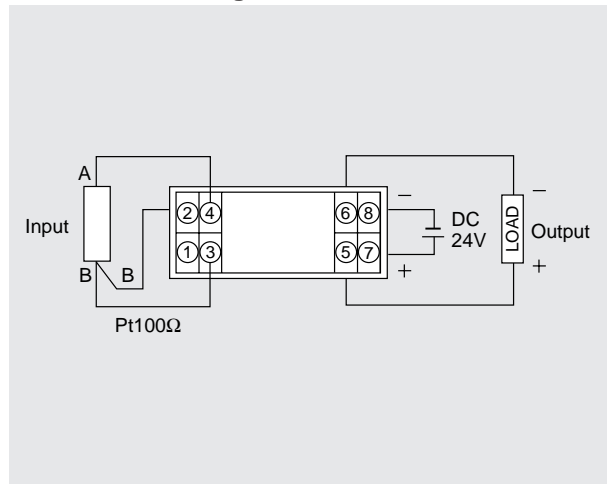
Features

- Isolated Input/Output/Power supply
- DIN rail mount
- Input RTD sensor

Dimension



Connection Diagram



Block Diagram

