

# TERMINAL TYPE TRANSMITTER

## TZ-5C



### Input Specifications

Sensor type K

Code No.	Temp. range
1	0 ~ 500°C
2	0 ~ 1000°C
Y	Special (0 ~ 1000°C) Span (300 ~ 1000°C)

### Output Specifications

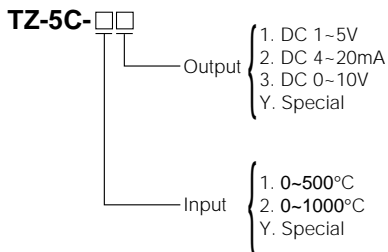
DC voltage or current

Code No.	Output
1	DC 1~5V
2	DC 4~20mA
3	DC 0~10V
Y	Special (Current less than 20mA) (Voltage less than $\pm 10V$ )

### General Specifications

Accuracy:	$\pm 0.4\%$ F.S
Temp. Coefficient:	$\pm 300\text{ppm}/^\circ\text{C}$ F.S (TYP.)
Response Time:	Less than 0.5sec (0~90%) (TYP.)
Load Resistance:	DC1~5V more than $2k\Omega$ DC4~20mA Less than $550\Omega$ DC0~10V more than $4k\Omega$
Insulated resistance:	Input/output/power supply more than $100M\Omega$ (DC500V)
Dielectric Strength:	Input/output/power supply AC2000V/1min.
Power Supply:	DC24V+15%, -5%
Power Consumption:	Less than 60mA
Operation Temp:	-5~50°C less than 90%RH
Cold Junction Compensator:	$\pm 1^\circ\text{C}$ at $20^\circ\text{C} \pm 10^\circ\text{C}$

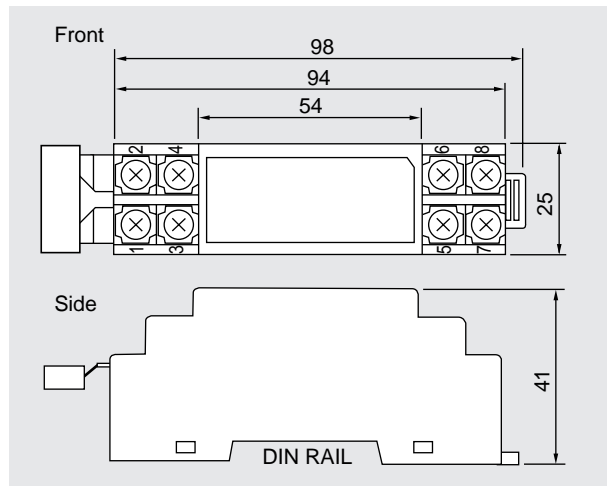
### Ordering Guide



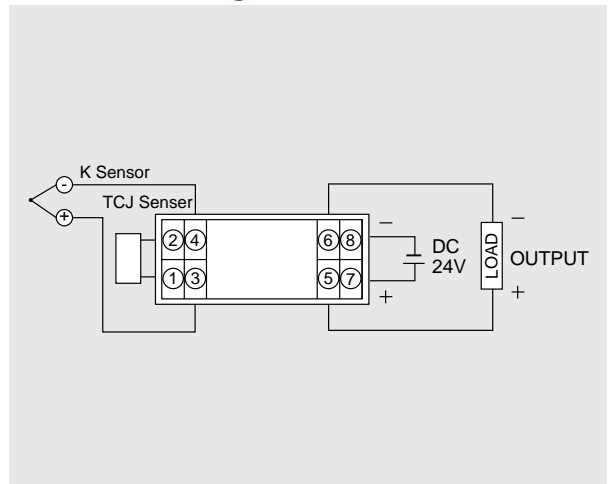
### Features

- Input K sensor
- Isolated input/output/power supply
- DIN rail mount
- Small size and easy installation

### Dimension



### Connection Diagram



### Block Diagram

