

TERMINAL TYPE TRANSMITTER

TZ-5D



Input /Output Specification

Code No.	Input	Output
1	AC 0~1A	DC 1~5V
2	AC 0~1A	DC 4~20mA
3	AC 0~1A	DC 0~10V
4	AC 0~5A	DC 1~5V
5	AC 0~5A	DC 4~20mA
6	AC 0~5A	DC 0~10V
Y	Special	

Special

AC current input: Less than 0~5A, Min span AC1A
 DC current output: Less than DC20mA, Min span DC1mA
 DC voltage output: Less than DC±10V/Min span DC1V

Load resistance: DC 1~5V more than 2kΩ
 DC 0~10V more than 4kΩ
 DC 4~20mA less than 550Ω

General Specifications

Accuracy: ±0.3% F.S
 Input Frequency: 40Hz~1kHz
 Temp. Coefficient: ±200ppm/°C (Typ.)
 Response Time: Less than 0.5sec (0~90%)
 Power Supply: DC24V+15% less than 55mA
 -5%
 Operation Temp: -5~50°C less than 90%RH
 Insulated Resistance: Input/output/power supply more than 100MΩ(DC500V)
 Dielectric Strength: Input/output/power supply AC1500V/1min.

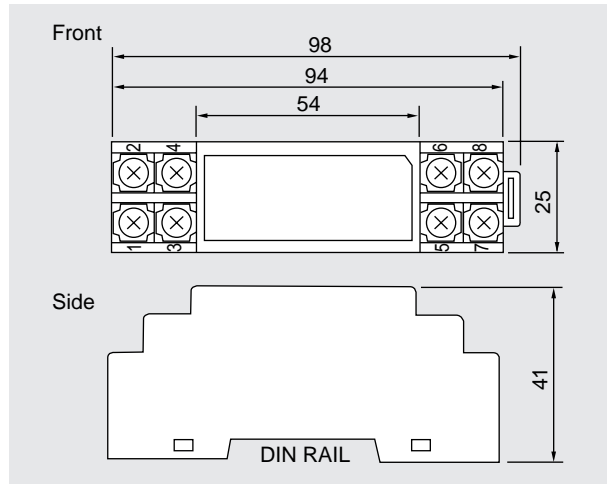
Ordering Guide

TZ-5D-	□	Input	Output
		1. AC 0~1A	DC 1~5V
		2. AC 0~1A	DC 4~20mA
		3. AC 0~1A	DC 0~10V
		4. AC 0~5A	DC 1~5V
		5. AC 0~5A	DC 4~20mA
		6. AC 0~5A	DC 0~10V
		Y. Special	

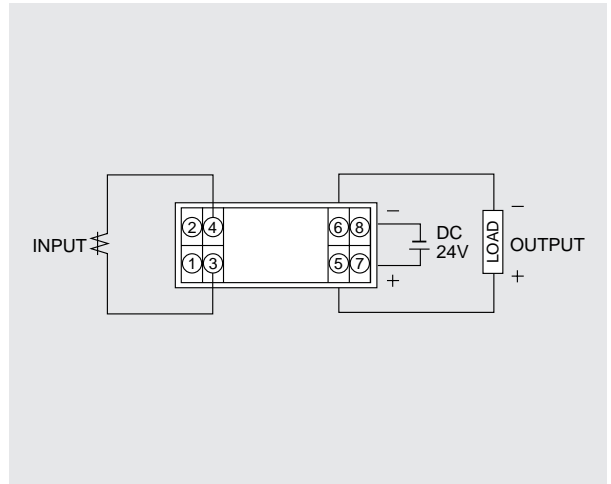
Features

- Input AC current(True-RMS)
- Isolated input/output/power supply
- DIN rail mount
- Small size and easy installation

Dimension



Connection Diagram



Block Diagram

