

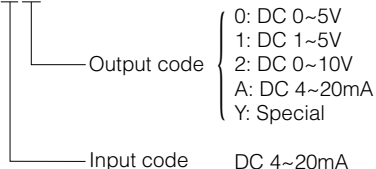
DISTRIBUTOR

TZ-5L



Ordering Code

TZ-5L-A□



Input specifications

4-20mA DC (Input resistance 50Ω)

Output specifications

Code No.	Output signal	Load resistance
0	DC0~5V	more than 2KΩ
1	DC1~5V	
2	DC0~10V	more than 4KΩ
A	DC4~20mA	less than 550Ω
Y	Other than the above	

For code No. Y

Limit of specifications

Voltage output : Less than +10VDC and more than -10VDC

Minimum span : 1VDC

Current output : Less than 20mADC

Minimum span : 5mADC

Specifications

Accuracy : $\pm 0.25\%F.S (23^{\circ}C \pm 2^{\circ}C)$

Temperature characteristic : $\pm 200ppmF.S/^{\circ}C (TYP.)$

Response time : Less than 50 msec (0~90%)

Insulated resistance : Between input and output/power supply;
More than 100MΩ (at 500V DC)

Dielectric strength : Between input and output/power supply;
For 1 min. at 2000VAC

Power supply voltage : 24V DC $\pm 10\%$ less than 80mA

Operating ambient Temp. : -5 to +50°C

Operating ambient humidity : Less than 90%RH(No-condensing)

Weight : Approx. 80g

Power supply to 2-wire transmitter

Output voltage : 24~32VDC (No load resistance)

Current Capacity : Less than 22mADC

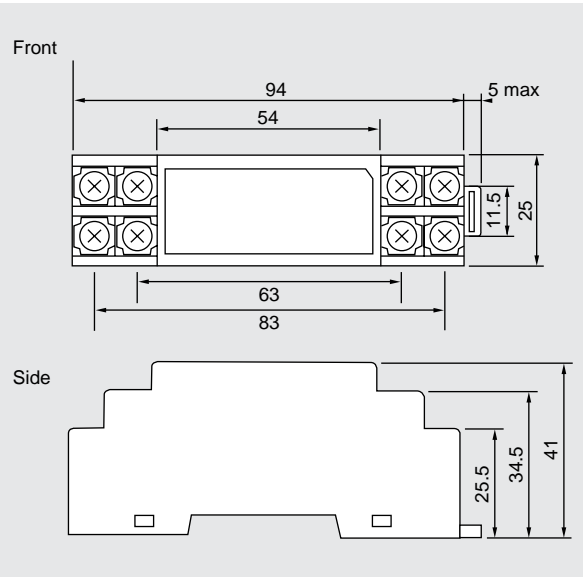
Current at short circuit : Less than 30mADC

Permissible : Short circuit duration : No limit

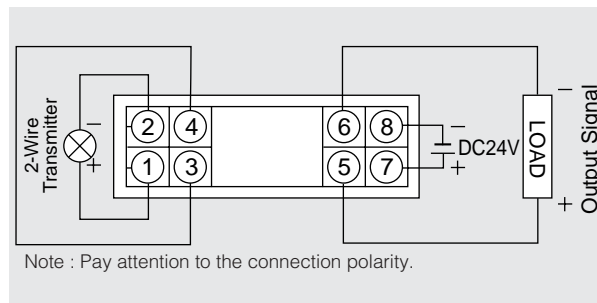
Features

- DIN rail mount
- Low cost
- Miniature Size
- Isolated Input/Output/Power supply

Dimensions



Connection Diagram



Block Diagram

