

# OPEN CASE METER

## AH-381

### \*LCD Display



### ■ DC Voltage Measurement

Model	Range	Maximum Resolution	Input Impedance	Input Protection
AH-381-11	±199.9mV	100μV	100MΩ	±100V
AH-381-12	±1.999V	1mV	100MΩ	±100V

Accuracy: 0.1% rdg. ±1 digit(23°C±5°C)

### ■ Specifications

Input Configuration:	Single Ended
Input Bias Current:	100PA(Typ.)
Conversion Rate:	2.5/sec
Normal Mode Rejection:	40dB(Typ.)
Zero Stability:	Automatic zero adjustment
Display:	LCD, 10.2mm
Polarity:	A "-" is displayed automatically
Decimal Point:	Settable to any digit position
Overrange Indication:	When input exceeds the maximum display, display 1 or -1 of the most significant digit
Power Supply:	DC5V±5%
Operating Temperature:	0~50°C, 35 to 85%RH
Power Consumption:	3mA(Max.)
Dimensions:	29.5(H) × 65(W) × 16.5(D)mm
Weight:	Approx. 17g

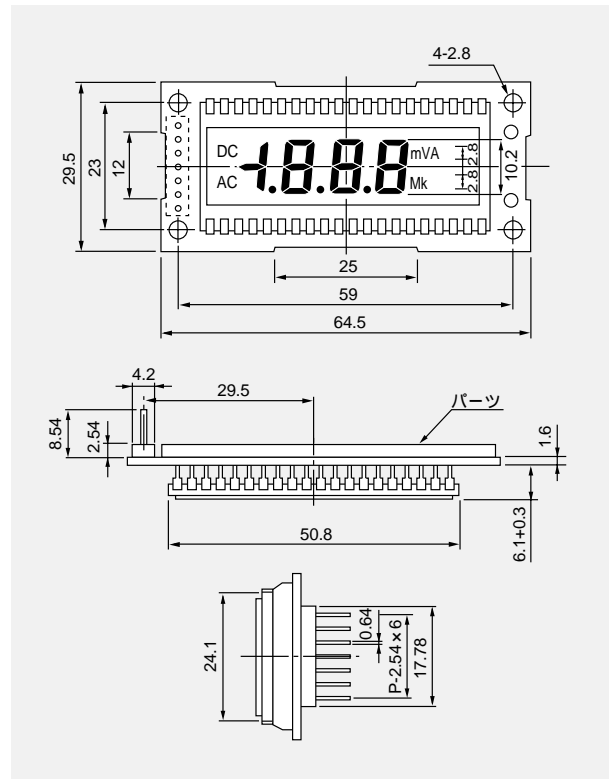
### ■ Features

- LCD, 10.2mm
- Engineering units available
- Power supply 5V DC±5%
- 200mV~2V Measurement

### ■ Ordering Code

AH-381-□□  
 Range { 11  
 12

### ■ Dimensions



### ■ Connection Diagram

