

DC VOLTMETER & AMMETER

AP-102

*BCD Output(Optional)



■ DC Voltage Measurement

Model	Range	Maximum Resolution	Input Impedance	Input Protection
AP-102-10	±19.99mV	10μV	100MΩ	±250V
AP-102-11	±199.9mV	100μV	100MΩ	±250V
AP-102-12	±1.999V	1mV	100MΩ	±250V
AP-102-13	±19.99V	10mV	10MΩ	±250V
AP-102-14	±199.9V	100mV	10MΩ	±500V

Accuracy: ±0.1% rdg. ±1 digit (23°C±5°C)

■ DC Current Measurement

Model	Range	Maximum Resolution	Internal Resistance	Input Protection
AP-102-21	±199.9μA	100nA	1kΩ	±10mA
AP-102-22	±1.999mA	1μA	100Ω	±50mA
AP-102-23	±19.99mA	10μA	10Ω	±150mA
AP-102-24	±199.9mA	100μA	1Ω	±500mA
AP-102-25	±1.999A	1mA	0.1Ω	±3A

Accuracy: ±0.2% rdg. ±1 digit(23°C±5°C)
±0.3% rdg. ±1 digit only for AP-102-25

■ Specifications

Input configuration: Single Ended
 Input Bias Current: 50PA(Typ.)
 Conversion Rate: 2.5/sec or 12.5/sec(50Hz), 15/sec(60Hz)
 Normal Mode Rejection: More than 40dB(50/60Hz)
 Zero Stability: Automatic Zero Adjustment
 Display: LED, 14.2mm 3 1/2 -digit
 Polarity: A " - " is displayed automatically
 Decimal Point: Settable to any digit position
 Overrange Indication: When input exceeds the maximum display, 1999 or -1999 flashes.
 Power Supply: AC90~132V, AC180~264V, DC5V±5%
 Operating Temperature: 0~50°C, 35 to 85%RH
 Power Consumption: 1.5VA
 Dimensions: 48(H) × 96(W) × 73(D)mm DIN Size
 Weight: Approx. 150g(For AC), 85g(For DC)
 Dielectric Strength: AC type:Between input(Lo)terminal and earth, DC500V
 Between power supply terminal and input terminal, earth, common, case, AC1500V/1 min.
 DC type:Between input(Lo)and power supply(OV), DC500V
 Insulation Resistance: DC500V 100MΩ at above terminals

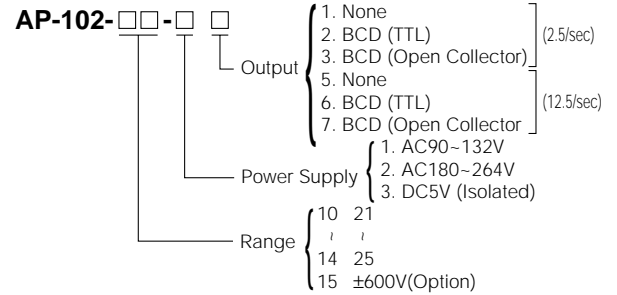
■ BCD Data Output (Isolated from input (Lo))

Measured data: Tri-state parallel BCD positive logic latch output
 Polarity signal: " 1 " level at plus input
 " OVER " signal: " 1 " level at overflow input
 Printing command signal: A positive pulse of approx 1ms at every measurement completion
 Each signal of the above: TTL level Fanout=2
 *Each signal of the above can be changed to negative logic

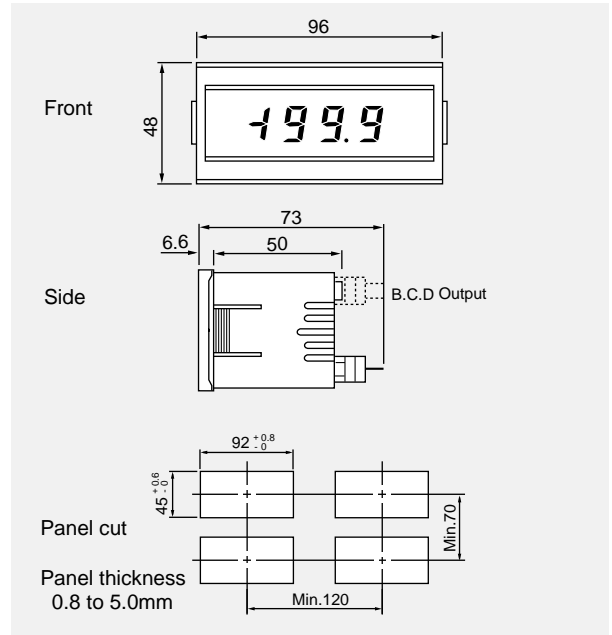
■ Features

- BCD(option)
- Bright LED 14.2mm(Red)
- AC180~264V, 90~132V, DC5V
- 20mV~200V, 200μA~2A Measurement
- ±600V Measurement(option)
- BCD Open Collector available

■ Ordering Code



■ Dimensions



■ Connection Diagram

