

AC VOLTMETER & AMMETER

AP-247

*TRUE - RMS



■ AC Voltage Measurement

Model	Range	Input Impedance	Frequency Range	Input Protection
AP-247-12	999.9mV	1.1M	40Hz~1kHz	100V
AP-247-13	9.999V	1.1M	40Hz~1kHz	300V
AP-247-14	99.99V	1M	40Hz~1kHz	300V
AP-247-15	700.0V	10M	40Hz~1kHz	700V

Accuracy: $\pm 0.2\%$ rdg ± 20 digit ($23^{\circ}\text{C} \pm 5^{\circ}\text{C}$)
 $\pm 0.3\%$ rdg ± 20 digit only for AP-247-15

■ AC Current Measurement

Model code	Range	Input Impedance	Frequency Range	Input Protection
AP-247-22	999.9 μA	1k	40Hz~1kHz	10mA
AP-247-23	9.999mA	100	40Hz~1kHz	50mA
AP-247-24	99.99mA	10	40Hz~1kHz	150mA
AP-247-25	999.9mA	1	40Hz~1kHz	3A
AP-247-26	2.000A	0.1	40Hz~1kHz	3A

Accuracy: $\pm 0.5\%$ rdg ± 20 digit ($23^{\circ}\text{C} \pm 5^{\circ}\text{C}$)
 $\pm 0.7\%$ rdg ± 20 digit only for AP-247-26

■ Specifications

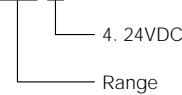
Input Configuration:	Single Ended
Rectifier Circuit :	True-RMS value is obtained by AC/DC converter in the analog operation method using transistor V_{be} nlc (log characteristic)
Conversion Rate:	2.5 times/sec
Crest Factor:	4:1 (At fullscale)
Response Speed:	Approx. 1 sec (10% to 90%)
Max. Display:	9999
Overrange Indication:	When input exceeds up to 200%, flash and renew When input exceeds 200%, flash 0000
Display:	LED, 10.2mm
Decimal Point:	Settable to any digit position
External Control:	Hold; HOLD terminal and 0V terminal shorted (Isolated input (Lo))
Operating Temperature:	0 to 50°C , 35 to 85% RH
Power Supply:	24VDC $\pm 20\%$
Power Consumption:	Max. 40mA (at 24VDC)
Dimensions:	24(H) \times 48(W) \times 79(D) mm DIN size
Weight:	Approx. 60g (unit only)
Dielectric Strength:	Input Lo and power supply 0V 1000VAC/1 min.
Insulation Resistance:	500VDC 100M ohms at above terminals
Accessory:	Instruction Manual

■ Features

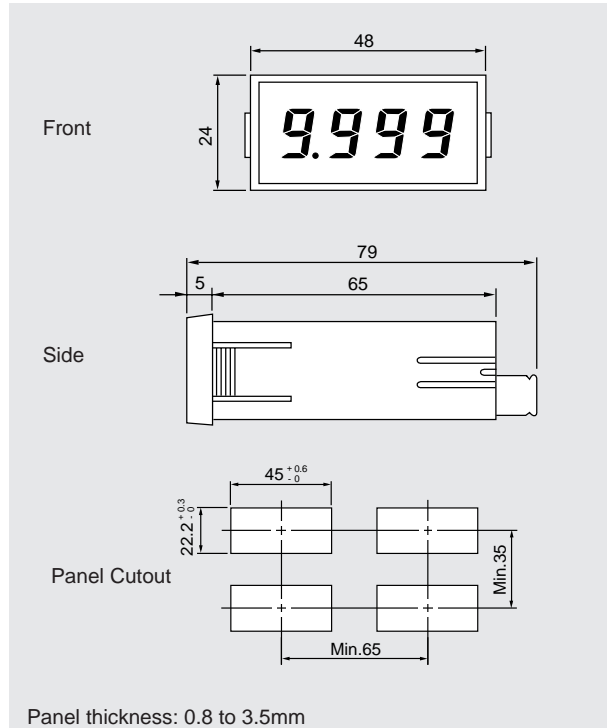
- True-RMS
- Screw Terminal
- LED, 10.2mm (Red)
- Power Supply 24VDC (Isolated)
- AC 1V to 700V, 1mA to 2A Measurement

■ Ordering Code

AP-247-□□-4



■ Dimensions



■ Connection Diagram

