

DC VOLTMETER & AMMETER

AP-301

*Compact Size, 14.2mm LED



■ DC Voltage Measurement

Model	Range	Maximum Resolution	Input Impedance	Input Protection
AP-301-11	±199.9mV	100μV	100MΩ	±100V
AP-301-12	±1.999V	1mV	100MΩ	±100V
AP-301-13	±19.99V	10mV	10MΩ	±250V
AP-301-14	±199.9V	100mV	10MΩ	±500V

Accuracy: ±0.1% rdg. ±1 digit (23°C ±5°C)

■ Specifications

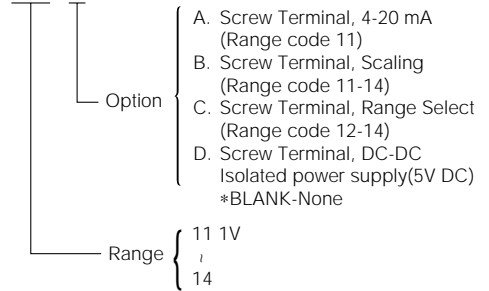
Input Configuration:	Single Ended
Input Bias Current:	50pA (Typ.)
Conversion Rate:	2.5/sec
Normal Mode Rejection:	40dB (Typ.) (50/60Hz)
Zero Stability:	Automatic Zero Adjustment
Display:	LED, 14.2mm 3 1/2-digit
Polarity:	A "-" is displayed automatically
Decimal Point:	Settable to any digit position
Overrange Indication:	When input exceeds the maximum display, 1999 flashes
Power Supply:	DC5V ±5%, 80mA (Max.)
Operating Temperature:	0~50°C, 35 to 85%RH
Power Consumption:	400mW
Dimensions:	36(H) × 72(W) × 29(D)mm DIN Size
Weight:	Approx. 35g
Dielectric Strength:	Between input (Lo) terminal and case, AC1500V/1 min. Between input (Lo) terminal and power supply (0V), DC500V
Insulation Resistance:	DC500V 100MΩ at above terminals

■ Features

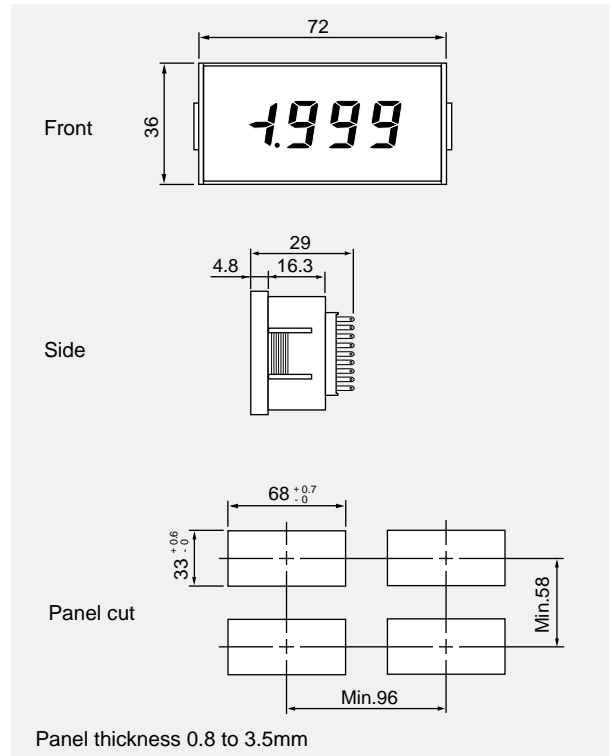
- Compact Size, 36(H) × 72(W) × 29(D)mm
- Bright LED, 14.2mm (Red)
- DC5V(Non-Isolated)
- 200mV~200V Measurement
- Isolated DC24V Available (Option A or D)

■ Ordering Code

AP-301-□□-□



■ Dimensions



■ Connection Diagram

