

DC VOLTMETER & AMMETER

AP-310

*Compact Size, 14.2mm LED



DC Voltage Measurement

Model	Range	Maximum Resolution	Input Impedance	Input Protection
AP-310-11	±199.9mV	100μV	100MΩ	±250V
AP-310-12	±1.999V	1mV	10MΩ	±250V
AP-310-13	±19.99V	10mV	10MΩ	±250V
AP-310-14	±199.9V	100mV	10MΩ	±500V

Accuracy: ±0.1% rdg ±1 digit (23°C±5°C)

DC Current Measurement

Model	Range	Maximum Resolution	Internal Resistance	Input Protection
AP-310-21	±199.9μA	100nA	1kΩ	±10mA
AP-310-22	±1.999mA	1μA	100Ω	±50mA
AP-310-23	±19.99mA	10μA	10Ω	±150mA
AP-310-24	±199.9mA	100μA	1Ω	±500mA
AP-310-25	±1.999A	1mA	0.1Ω	±3A

Accuracy: ±0.2% rdg ±1 digit (23°C±5°C)
±0.3% rdg ±1 digit for AP-310-25

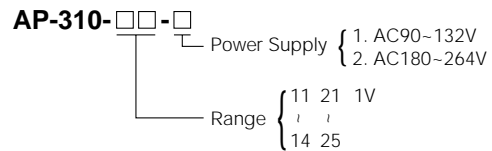
Specifications

Input Configuration: Single Ended
Input Bias Current: 50PA(Typ.)
Conversion Rate: 2.5/sec
Normal Mode Rejection: 40dB(Typ.)(50/60Hz)
Zero Stability: Automatic Zero Adjustment
Display: LED, 14.2mm 3 1/2 digit
Decimal Point: Settable to any digit position
Polarity: A "-" is displayed automatically
Overrange Indication: When input exceeds the maximum display, flashes 1 or -1 at 10³.
Power Supply: AC90~132V
AC180~264V
Operating Temperature: 0~50°C, 35 to 85%RH
Power Consumption: 1.5VA
Dimensions: 36(H) × 72(W) × 110(D)mm DIN Size
Weight: Approx. 200g
Dielectric Strength: Between power supply and input terminal, earth, COM AC1500V/1 min.
Insulation Resistance: DC500V 100MΩ at above terminals

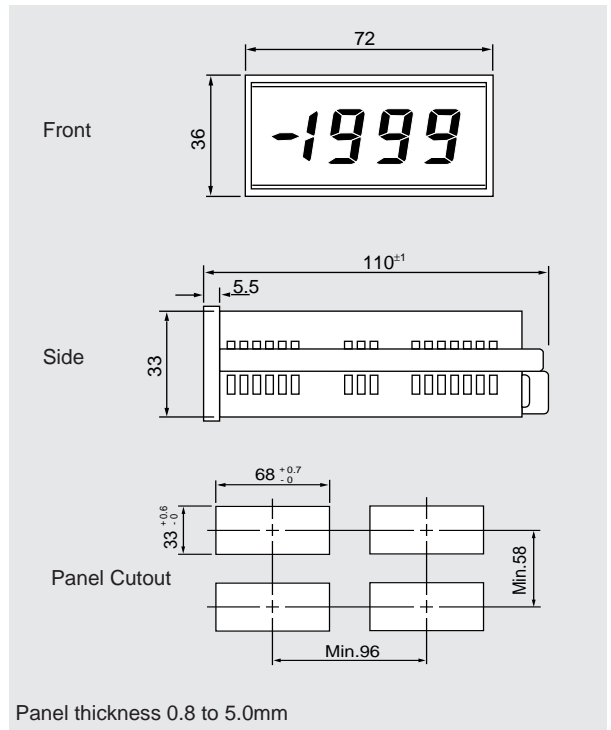
Features

- Bright LED 14.2mm(Red)
- AC90~132V, AC180~264V
- 200mV~200V, 200μA~2A Measurement
- Compact Size, 36(H) × 72(W) × 110(D)mm
- Screw terminal

Ordering Code



Dimensions



Connection Diagram

