

TERMINAL TYPE TRANSMITTER

TZ-5B



Input Specifications

Potentiometer (100 to 10K)

Output Specifications

DC voltage or current

Code No.	Temp. Range
1	1-5V
2	4-20mA
3	0-10V
Y	Special

*Special Current Output Range: Less than 20mA (Min. span 1mA)
 *Special Voltage Output Range: Less than ±10V (Min. span 1V)

Allowable Load: More than 2KΩ (At 1 to 5V)
 Resistance: More than 4KΩ (At 0 to 10V)
 Less than 550Ω (At 4 to 20mA)

General Specifications

Accuracy: ±0.25% F.S.c
 Temp. Coefficient: ±200ppm/°C (Typ.)
 Response Time: Less than 50mS (0-90%) (Typ.)
 Dielectric Strength: Input/Output/Power supply AC2000V/1 min.
 Insulated Resistance: Input/Output/Power supply more than 100MΩ at DC500V
 Operating Temp.: -5-50°C
 Power Supply: DC24V +15%,-5% less than 55mA
 Zero Adjustment Range: 0-10%
 Span Adjustment Range: 90-100%
 Reference Voltage: 0.5V

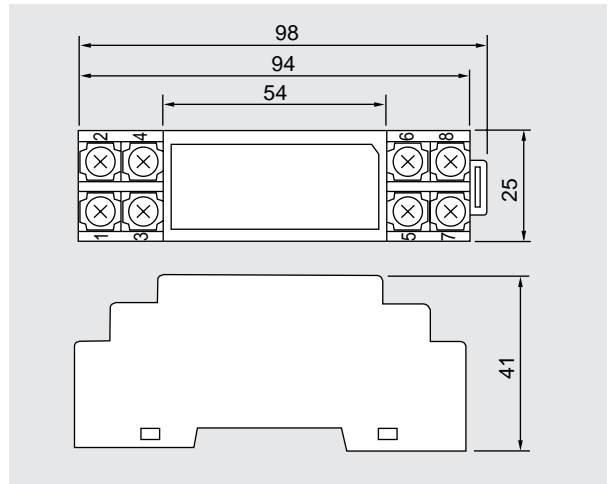
Ordering Guide

TZ-5B-□
 Output Code { DC 1 to 5V
 DC 4 to 20mA
 DC 0 to 10V
 Y. Special

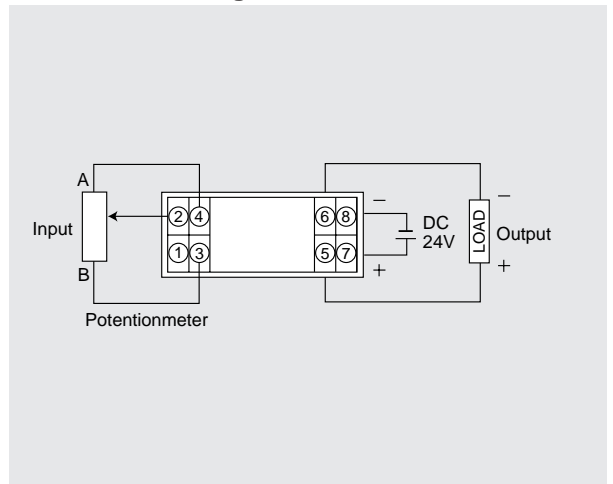
Features

- Isolated Input/Output/Power Supply
- DIN Rail mount
- Input Potentiometer

Dimension



Connection Diagram



Block Diagram

