

# TERMINAL TYPE TRANSMITTER

## TZ-5E



### Input Specifications

Code No.	Input
5	AC 0~35V
6	AC 0~110V
7	AC 0~150V
Y	Special

Special specification  
Voltage: less than AC300V, min span AC4V

### Output Specifications

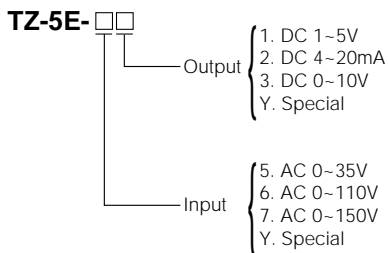
Code No.	Output	Load resistance
5	DC 1~5V	More than 2k
6	DC 4~20mA	More than 550
7	DC 0~10V	More than 4k
Y	Special	

Special specification  
Current: less than 20mA, min span 1mA  
Voltage: less than  $\pm 10V$ , min span 1V

### General Specifications

Accuracy:  $\pm 0.4\%$  F.S  
Temp. coefficient:  $\pm 200\text{ppm}/^\circ\text{C}$  F.S (Typ.)  
Response time: 70ms (Typ) 0~90%  
Input frequency: 40Hz~1KHz  
Dielectric strength: Input/output/power supply AC2000V/l min.  
Insulated resistance: Input/output/power supply more than  $100M\Omega$  at DC500V  
Operating temp.:  $-5^\circ\text{C}$ ~ $50^\circ\text{C}$  (less than 90% RH)  
Power supply: DC24V -5%, +10%

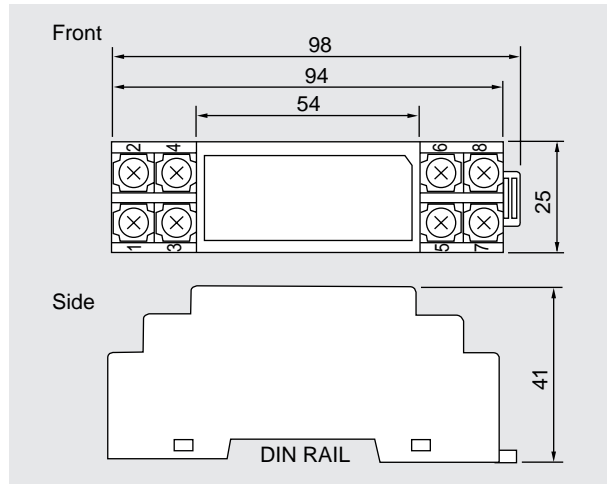
### Ordering Guide



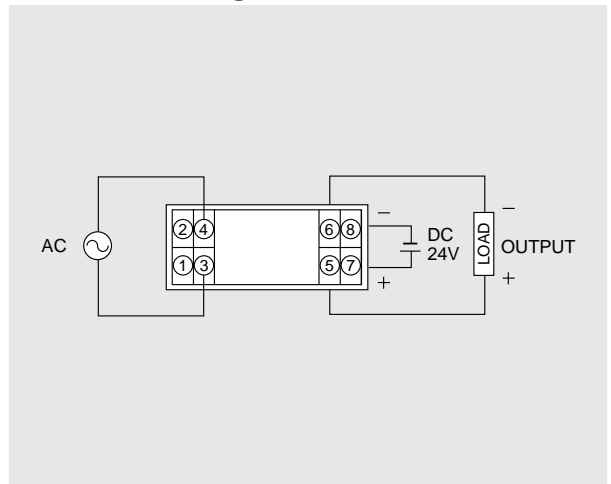
### Features

- Input AC voltage
- Isolated input/output/power supply
- Power supply DC24V
- DIN rail mount
- Small size easy installation

### Dimension



### Connection Diagram



### Block Diagram

